

Scaled data based on original data using
LM-79-08 Approved Method: Electrical and Photometric Measurements of Solid-State
Lighting Products

Test Report Prepared for
Cooper Lighting Solutions
(formerly Eaton)

Brand: NEO-RAY

Report Number: P24121

Luminaire Tested: **S901DIP-1L35-D02XXF**

Issue Date: 3/3/2020

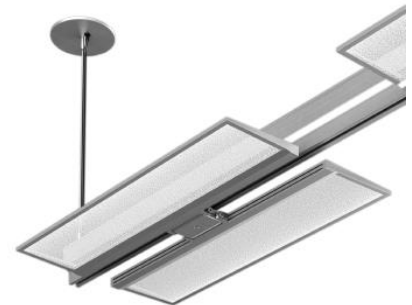
Test Information

Test Method: LM-79-08
Report Number: P24121
Test Lab: INNOVATION CENTER P2
Issue Date: 3/3/2020
Manufacturer: COOPER LIGHTING SOLUTIONS (FORMERLY EATON)
Product Line: NEO-RAY
Catalog Number: S901DIP-1L35-D02XXF
Description: NEORAY INDEX SUSPENDED WITH 2 FOOT WING YOKE
Light Source: (84) 3500K LEDs
Ballast/Driver: (1) ADVANCE ELECTRONIC DRIVERS
LEDINTA2000C24DO

Summary

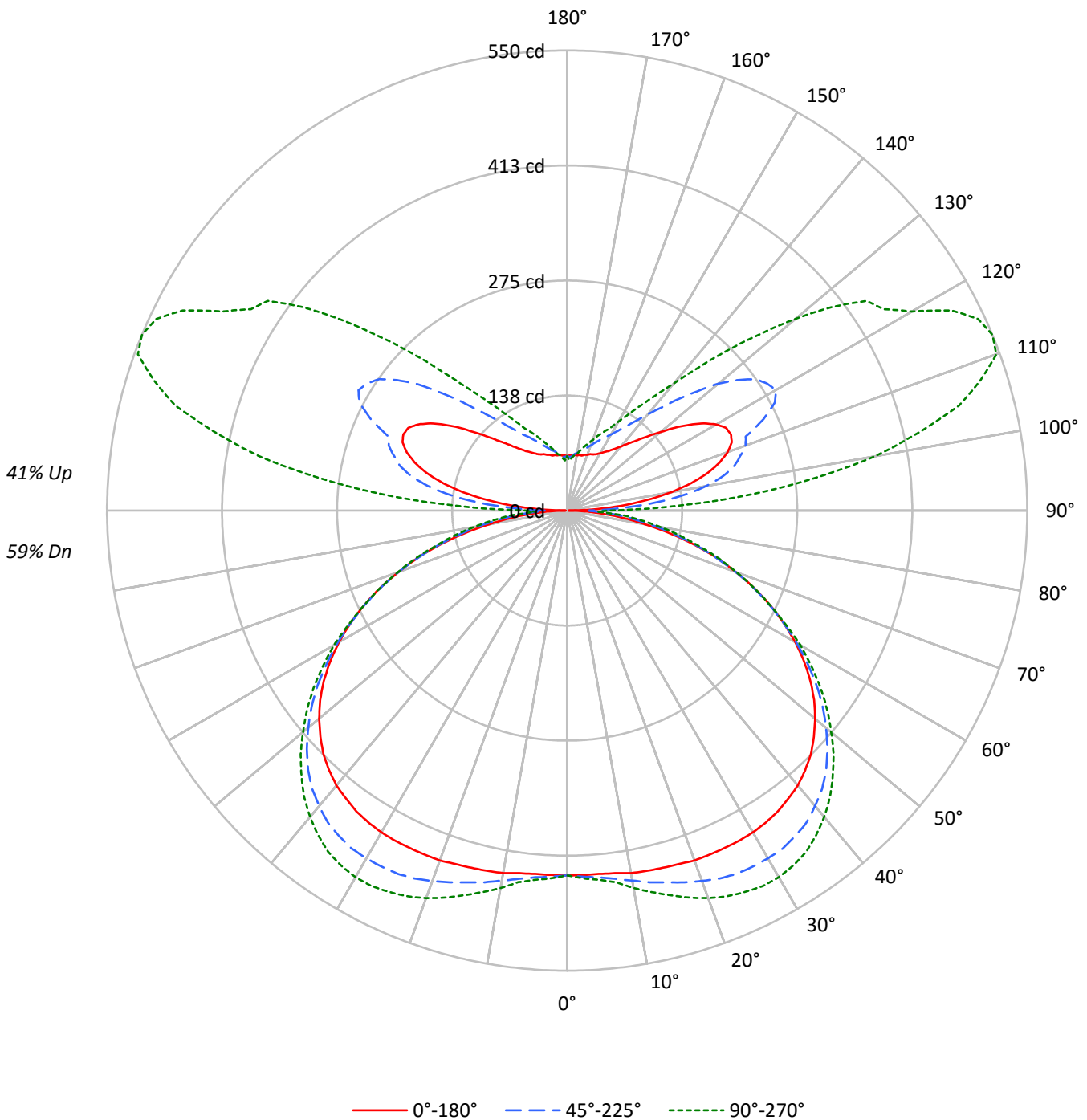
Lumens per Lamp: N/A
Luminaire Lumens: 3136.3 lumens
Efficiency: N/A
Efficacy: 96.2 lumens/watt
Spacing Criteria (0/90/45): 1.53 / 1.66 / 1.68
Luminous Opening: Rectangular (W 1.12' x L: 1.85' x H: 0')
CIE Type: General Diffuse

Input Watts (W): 32.6
Input Voltage (V): 120.11
Input Current (Ain): 0.2729
Voltage Rise (V): NR
Power Factor: 0.9958
Total Harmonic Distortion (THDi):
Frequency (hertz): 60
Stabilization Time: NR
Operation Time: 24 HR
Ambient Temperature (°C): NR
Test Distance: 25 FT



TEST NUMBER: P24121
CATALOG NUMBER: S901DIP-1L35-D02XXF

Luminous Intensity Polar Plot





TEST NUMBER: P24121

CATALOG NUMBER: S901DIP-1L35-D02XXF

COEFFICIENT OF UTILIZATION - ZONAL CAVITY METHOD:

| | | | | | | | | | | | | | | | | | | |
|-----|-----|-----|-----|-----|-----|-----|-----|-----|----|----|----|----|----|----|----|----|----|----|
| RF | 20 | | | | 20 | | | | 20 | | | | 20 | | | | 20 | |
| RC | 80 | | | | 70 | | | | 50 | | | | 30 | | | | 10 | 0 |
| RW | 70 | 50 | 30 | 10 | 70 | 50 | 30 | 10 | 50 | 30 | 10 | 50 | 30 | 10 | 50 | 30 | 10 | 0 |
| RCR | | | | | | | | | | | | | | | | | | |
| 0 | 109 | 109 | 109 | 109 | 102 | 102 | 102 | 102 | 88 | 88 | 88 | 76 | 76 | 76 | 64 | 64 | 64 | 59 |
| 1 | 99 | 94 | 90 | 86 | 92 | 88 | 84 | 80 | 76 | 73 | 70 | 65 | 63 | 61 | 55 | 54 | 52 | 48 |
| 2 | 89 | 81 | 74 | 69 | 83 | 76 | 70 | 65 | 66 | 61 | 57 | 56 | 53 | 50 | 48 | 45 | 43 | 38 |
| 3 | 81 | 71 | 63 | 56 | 75 | 66 | 59 | 53 | 57 | 52 | 47 | 49 | 45 | 41 | 41 | 38 | 36 | 32 |
| 4 | 74 | 62 | 54 | 47 | 68 | 58 | 50 | 44 | 50 | 44 | 39 | 43 | 38 | 35 | 37 | 33 | 30 | 26 |
| 5 | 67 | 55 | 46 | 40 | 62 | 51 | 44 | 38 | 45 | 38 | 34 | 38 | 33 | 30 | 33 | 29 | 26 | 22 |
| 6 | 62 | 49 | 40 | 34 | 57 | 46 | 38 | 32 | 40 | 34 | 29 | 34 | 29 | 26 | 29 | 25 | 22 | 19 |
| 7 | 57 | 44 | 36 | 30 | 53 | 41 | 34 | 28 | 36 | 30 | 25 | 31 | 26 | 22 | 27 | 22 | 19 | 17 |
| 8 | 53 | 40 | 32 | 26 | 49 | 37 | 30 | 25 | 33 | 27 | 22 | 28 | 23 | 20 | 24 | 20 | 17 | 15 |
| 9 | 49 | 36 | 28 | 23 | 46 | 34 | 27 | 22 | 30 | 24 | 20 | 26 | 21 | 17 | 22 | 18 | 15 | 13 |
| 10 | 46 | 33 | 26 | 20 | 43 | 31 | 24 | 20 | 27 | 22 | 18 | 24 | 19 | 16 | 21 | 17 | 14 | 12 |

AVERAGE LUMINANCE (cd/sqm):

| | 0° | 45° | 90° |
|-----|------|------|------|
| 0° | 2250 | 2250 | 2250 |
| 5° | 2258 | 2279 | 2295 |
| 10° | 2306 | 2353 | 2400 |
| 15° | 2361 | 2457 | 2543 |
| 20° | 2444 | 2586 | 2707 |
| 25° | 2534 | 2727 | 2864 |
| 30° | 2646 | 2860 | 3015 |
| 35° | 2765 | 2992 | 3137 |
| 40° | 2890 | 3105 | 3220 |
| 45° | 3007 | 3196 | 3277 |
| 50° | 3107 | 3243 | 3307 |
| 55° | 3194 | 3275 | 3329 |
| 60° | 3251 | 3272 | 3323 |
| 65° | 3272 | 3260 | 3272 |
| 70° | 3229 | 3229 | 3244 |
| 75° | 3130 | 3170 | 3230 |
| 80° | 2823 | 3150 | 3358 |
| 85° | 2487 | 3552 | 4026 |



TEST NUMBER: P24121

CATALOG NUMBER: S901DIP-1L35-D02XXF

ZONAL LUMENS:

| Zone | Lumens | % Fixture |
|-----------|--------|-----------|
| 0°-10° | 42.3 | 1.3 |
| 10°-20° | 130.6 | 4.2 |
| 20°-30° | 220.3 | 7.0 |
| 30°-40° | 295.4 | 9.4 |
| 40°-50° | 334.4 | 10.7 |
| 50°-60° | 324.1 | 10.3 |
| 60°-70° | 264.5 | 8.4 |
| 70°-80° | 168.3 | 5.4 |
| 80°-90° | 65.0 | 2.1 |
| 90°-100° | 133.5 | 4.3 |
| 100°-110° | 286.1 | 9.1 |
| 110°-120° | 315.1 | 10.0 |
| 120°-130° | 256.5 | 8.2 |
| 130°-140° | 151.4 | 4.8 |
| 140°-150° | 78.3 | 2.5 |
| 150°-160° | 42.8 | 1.4 |
| 160°-170° | 21.5 | 0.7 |
| 170°-180° | 6.4 | 0.2 |
| 0°-30° | 393.1 | 12.5 |
| 0°-40° | 688.5 | 22.0 |
| 0°-60° | 1347.0 | 42.9 |
| 0°-90° | 1844.8 | 58.8 |
| 90°-120° | 734.7 | 23.4 |
| 90°-150° | 1220.9 | 38.9 |
| 90°-180° | 1292.0 | 41.2 |
| 0°-180° | 3136.3 | 100.0 |

CANDELA DISTRIBUTION:

| | 0° | 22.5° | 45° | 67.5° | 90° | Flux |
|------|-----|-------|-----|-------|-----|------|
| 0° | 436 | 436 | 436 | 436 | 436 | |
| 5° | 436 | 438 | 440 | 442 | 443 | 42 |
| 15° | 442 | 448 | 460 | 471 | 476 | 125 |
| 25° | 445 | 457 | 479 | 496 | 503 | 206 |
| 35° | 439 | 452 | 475 | 494 | 498 | 275 |
| 45° | 412 | 420 | 438 | 448 | 449 | 317 |
| 55° | 355 | 356 | 364 | 370 | 370 | 317 |
| 65° | 268 | 265 | 267 | 270 | 268 | 264 |
| 75° | 157 | 155 | 159 | 164 | 162 | 165 |
| 85° | 42 | 50 | 60 | 68 | 68 | 46 |
| 90° | 2 | 13 | 26 | 42 | 48 | 7 |
| 95° | 64 | 62 | 104 | 192 | 221 | 65 |
| 105° | 174 | 156 | 207 | 410 | 485 | 180 |
| 115° | 216 | 229 | 259 | 422 | 542 | 210 |
| 125° | 179 | 211 | 274 | 368 | 437 | 160 |
| 135° | 119 | 144 | 189 | 242 | 270 | 94 |
| 145° | 87 | 101 | 123 | 144 | 153 | 56 |
| 155° | 74 | 81 | 93 | 101 | 104 | 35 |
| 165° | 68 | 72 | 75 | 78 | 79 | 20 |
| 175° | 66 | 66 | 65 | 64 | 63 | 6 |
| 180° | 65 | 65 | 65 | 65 | 65 | |



TEST NUMBER: P24121

CATALOG NUMBER: S901DIP-1L35-D02XXF

CANDELA DISTRIBUTION (FULL):

| | 0° | 5° | 10° | 15° | 20° | 25° | 30° | 35° | 40° | 45° | 50° |
|--------|-----|-----|-----|-----|-----|-----|-----|-----|-----|-----|-----|
| 0° | 436 | 436 | 436 | 436 | 436 | 436 | 436 | 436 | 436 | 436 | 436 |
| 2.5° | 436 | 436 | 436 | 436 | 437 | 437 | 437 | 437 | 438 | 438 | 438 |
| 5° | 436 | 436 | 436 | 437 | 438 | 439 | 439 | 440 | 440 | 440 | 440 |
| 7.5° | 437 | 437 | 438 | 439 | 440 | 441 | 442 | 442 | 443 | 444 | 444 |
| 10° | 440 | 439 | 440 | 441 | 443 | 444 | 445 | 447 | 448 | 449 | 450 |
| 12.5° | 441 | 441 | 442 | 443 | 445 | 447 | 449 | 451 | 452 | 455 | 456 |
| 15° | 442 | 442 | 443 | 445 | 447 | 450 | 452 | 455 | 458 | 460 | 462 |
| 17.5° | 443 | 444 | 445 | 447 | 450 | 453 | 456 | 459 | 463 | 466 | 469 |
| 20° | 445 | 445 | 447 | 449 | 452 | 456 | 459 | 463 | 468 | 471 | 475 |
| 22.5° | 445 | 446 | 448 | 450 | 454 | 458 | 462 | 467 | 471 | 476 | 480 |
| 25° | 445 | 446 | 448 | 451 | 455 | 459 | 464 | 469 | 474 | 479 | 483 |
| 27.5° | 445 | 445 | 447 | 451 | 455 | 460 | 464 | 470 | 475 | 480 | 485 |
| 30° | 444 | 445 | 447 | 450 | 454 | 459 | 465 | 470 | 476 | 480 | 485 |
| 32.5° | 442 | 443 | 445 | 448 | 452 | 457 | 463 | 468 | 474 | 479 | 484 |
| 35° | 439 | 440 | 442 | 445 | 449 | 454 | 460 | 465 | 470 | 475 | 481 |
| 37.5° | 434 | 435 | 437 | 440 | 445 | 449 | 454 | 459 | 464 | 470 | 475 |
| 40° | 429 | 430 | 431 | 434 | 438 | 441 | 446 | 451 | 456 | 461 | 466 |
| 42.5° | 421 | 422 | 423 | 426 | 429 | 432 | 436 | 442 | 446 | 451 | 455 |
| 45° | 412 | 413 | 414 | 415 | 418 | 421 | 425 | 430 | 434 | 438 | 441 |
| 47.5° | 400 | 401 | 402 | 404 | 406 | 407 | 411 | 415 | 419 | 422 | 426 |
| 50° | 387 | 388 | 388 | 389 | 390 | 392 | 395 | 398 | 401 | 404 | 407 |
| 52.5° | 372 | 373 | 373 | 373 | 373 | 375 | 378 | 380 | 382 | 385 | 387 |
| 55° | 355 | 356 | 356 | 355 | 356 | 357 | 358 | 360 | 361 | 364 | 366 |
| 57.5° | 336 | 337 | 336 | 335 | 335 | 336 | 337 | 337 | 339 | 341 | 343 |
| 60° | 315 | 316 | 314 | 313 | 314 | 313 | 314 | 313 | 316 | 317 | 319 |
| 62.5° | 292 | 293 | 292 | 289 | 290 | 289 | 289 | 290 | 291 | 292 | 294 |
| 65° | 268 | 269 | 268 | 265 | 266 | 264 | 264 | 264 | 265 | 267 | 269 |
| 67.5° | 242 | 243 | 241 | 239 | 239 | 237 | 237 | 238 | 239 | 241 | 242 |
| 70° | 214 | 215 | 213 | 212 | 211 | 211 | 210 | 211 | 212 | 214 | 215 |
| 72.5° | 187 | 186 | 186 | 185 | 184 | 182 | 183 | 184 | 186 | 186 | 187 |
| 75° | 157 | 156 | 157 | 155 | 156 | 154 | 155 | 155 | 157 | 159 | 160 |
| 77.5° | 126 | 126 | 128 | 128 | 128 | 126 | 127 | 128 | 129 | 132 | 133 |
| 80° | 95 | 97 | 97 | 99 | 100 | 99 | 100 | 102 | 103 | 106 | 107 |
| 82.5° | 68 | 68 | 71 | 72 | 74 | 74 | 75 | 77 | 80 | 81 | 84 |
| 85° | 42 | 43 | 45 | 47 | 49 | 51 | 52 | 55 | 58 | 60 | 62 |
| 87.5° | 20 | 21 | 24 | 26 | 28 | 30 | 32 | 34 | 36 | 37 | 37 |
| 90° | 2 | 4 | 6 | 9 | 12 | 14 | 17 | 20 | 23 | 26 | 29 |
| 92.5° | 29 | 30 | 30 | 31 | 31 | 33 | 38 | 42 | 49 | 62 | 72 |
| 95° | 64 | 65 | 63 | 62 | 61 | 63 | 68 | 74 | 85 | 104 | 125 |
| 97.5° | 96 | 97 | 94 | 89 | 87 | 90 | 94 | 101 | 117 | 140 | 171 |
| 100° | 126 | 127 | 122 | 114 | 110 | 113 | 117 | 125 | 143 | 169 | 205 |
| 102.5° | 152 | 154 | 148 | 142 | 133 | 133 | 136 | 146 | 163 | 191 | 230 |
| 105° | 174 | 176 | 171 | 167 | 163 | 150 | 153 | 163 | 178 | 207 | 248 |
| 107.5° | 191 | 193 | 192 | 189 | 187 | 182 | 169 | 177 | 194 | 217 | 256 |
| 110° | 204 | 206 | 208 | 206 | 204 | 205 | 204 | 191 | 203 | 227 | 261 |



TEST NUMBER: P24121

CATALOG NUMBER: S901DIP-1L35-D02XXF

CANDELA DISTRIBUTION (continued):

| | 0° | 5° | 10° | 15° | 20° | 25° | 30° | 35° | 40° | 45° | 50° |
|--------|-----|-----|-----|-----|-----|-----|-----|-----|-----|-----|-----|
| 112.5° | 213 | 215 | 219 | 218 | 217 | 221 | 224 | 228 | 220 | 231 | 263 |
| 115° | 216 | 219 | 224 | 224 | 227 | 231 | 237 | 245 | 254 | 259 | 261 |
| 117.5° | 214 | 217 | 222 | 225 | 230 | 234 | 244 | 254 | 266 | 280 | 293 |
| 120° | 206 | 210 | 214 | 222 | 226 | 235 | 243 | 256 | 271 | 288 | 305 |
| 122.5° | 194 | 198 | 203 | 213 | 218 | 228 | 239 | 250 | 266 | 283 | 303 |
| 125° | 179 | 183 | 188 | 198 | 207 | 215 | 227 | 241 | 257 | 274 | 294 |
| 127.5° | 163 | 166 | 172 | 180 | 191 | 201 | 212 | 225 | 240 | 256 | 274 |
| 130° | 146 | 149 | 156 | 163 | 173 | 183 | 195 | 207 | 221 | 236 | 252 |
| 132.5° | 132 | 135 | 140 | 147 | 155 | 164 | 174 | 185 | 198 | 211 | 226 |
| 135° | 119 | 121 | 126 | 133 | 140 | 148 | 157 | 166 | 178 | 189 | 201 |
| 137.5° | 109 | 110 | 114 | 120 | 126 | 134 | 141 | 149 | 158 | 167 | 178 |
| 140° | 100 | 101 | 105 | 109 | 115 | 121 | 127 | 134 | 142 | 150 | 158 |
| 142.5° | 93 | 94 | 97 | 101 | 105 | 111 | 117 | 123 | 128 | 135 | 142 |
| 145° | 87 | 88 | 91 | 94 | 99 | 103 | 108 | 112 | 118 | 123 | 128 |
| 147.5° | 83 | 84 | 86 | 89 | 92 | 96 | 100 | 105 | 109 | 113 | 118 |
| 150° | 79 | 80 | 82 | 85 | 87 | 91 | 94 | 98 | 102 | 105 | 109 |
| 152.5° | 76 | 78 | 79 | 80 | 83 | 87 | 89 | 93 | 96 | 99 | 102 |
| 155° | 74 | 75 | 77 | 78 | 80 | 82 | 85 | 88 | 90 | 93 | 95 |
| 157.5° | 73 | 73 | 74 | 76 | 77 | 79 | 81 | 83 | 86 | 88 | 90 |
| 160° | 71 | 71 | 72 | 73 | 75 | 76 | 78 | 80 | 82 | 83 | 85 |
| 162.5° | 70 | 70 | 71 | 72 | 73 | 74 | 75 | 76 | 78 | 79 | 80 |
| 165° | 68 | 69 | 70 | 71 | 71 | 72 | 73 | 74 | 75 | 75 | 77 |
| 167.5° | 68 | 68 | 69 | 69 | 70 | 70 | 71 | 72 | 72 | 73 | 73 |
| 170° | 67 | 67 | 68 | 68 | 69 | 69 | 69 | 70 | 70 | 70 | 71 |
| 172.5° | 67 | 67 | 67 | 67 | 67 | 68 | 68 | 68 | 68 | 68 | 68 |
| 175° | 66 | 66 | 66 | 66 | 66 | 66 | 66 | 65 | 65 | 65 | 65 |
| 177.5° | 66 | 66 | 66 | 66 | 66 | 66 | 66 | 65 | 65 | 64 | 64 |
| 180° | 65 | 65 | 65 | 65 | 65 | 65 | 65 | 65 | 65 | 65 | 65 |



TEST NUMBER: P24121

CATALOG NUMBER: S901DIP-1L35-D02XXF

CANDELA DISTRIBUTION (continued):

| | 55° | 60° | 65° | 70° | 75° | 80° | 85° | 90° |
|--------|-----|-----|-----|-----|-----|-----|-----|-----|
| 0° | 436 | 436 | 436 | 436 | 436 | 436 | 436 | 436 |
| 2.5° | 438 | 438 | 438 | 439 | 439 | 439 | 440 | 440 |
| 5° | 441 | 441 | 442 | 442 | 442 | 443 | 443 | 443 |
| 7.5° | 445 | 446 | 446 | 447 | 447 | 448 | 448 | 448 |
| 10° | 451 | 453 | 454 | 455 | 456 | 457 | 458 | 458 |
| 12.5° | 458 | 460 | 462 | 464 | 465 | 466 | 466 | 467 |
| 15° | 465 | 468 | 470 | 472 | 474 | 475 | 476 | 476 |
| 17.5° | 472 | 475 | 478 | 481 | 483 | 484 | 485 | 485 |
| 20° | 479 | 482 | 485 | 488 | 490 | 491 | 492 | 493 |
| 22.5° | 484 | 488 | 491 | 494 | 496 | 498 | 499 | 499 |
| 25° | 488 | 492 | 495 | 498 | 500 | 502 | 503 | 503 |
| 27.5° | 489 | 493 | 497 | 500 | 503 | 504 | 506 | 506 |
| 30° | 490 | 494 | 498 | 501 | 503 | 505 | 506 | 506 |
| 32.5° | 489 | 493 | 496 | 499 | 501 | 502 | 503 | 503 |
| 35° | 485 | 489 | 492 | 495 | 497 | 497 | 498 | 498 |
| 37.5° | 479 | 482 | 485 | 487 | 489 | 489 | 490 | 489 |
| 40° | 470 | 473 | 475 | 476 | 478 | 478 | 478 | 478 |
| 42.5° | 458 | 461 | 462 | 464 | 465 | 465 | 465 | 465 |
| 45° | 444 | 446 | 448 | 449 | 450 | 449 | 449 | 449 |
| 47.5° | 428 | 430 | 431 | 432 | 433 | 432 | 432 | 432 |
| 50° | 409 | 411 | 412 | 413 | 413 | 413 | 413 | 412 |
| 52.5° | 389 | 390 | 391 | 392 | 392 | 392 | 392 | 392 |
| 55° | 367 | 369 | 370 | 371 | 372 | 371 | 371 | 370 |
| 57.5° | 344 | 346 | 347 | 348 | 348 | 348 | 348 | 346 |
| 60° | 321 | 322 | 323 | 324 | 324 | 323 | 323 | 322 |
| 62.5° | 296 | 297 | 297 | 297 | 298 | 296 | 295 | 294 |
| 65° | 270 | 271 | 270 | 271 | 271 | 271 | 270 | 268 |
| 67.5° | 243 | 243 | 244 | 244 | 245 | 243 | 243 | 242 |
| 70° | 215 | 216 | 217 | 217 | 217 | 217 | 216 | 215 |
| 72.5° | 188 | 189 | 190 | 190 | 190 | 190 | 190 | 190 |
| 75° | 161 | 162 | 163 | 164 | 164 | 165 | 163 | 162 |
| 77.5° | 134 | 136 | 137 | 137 | 139 | 138 | 138 | 138 |
| 80° | 109 | 110 | 112 | 113 | 113 | 114 | 114 | 113 |
| 82.5° | 85 | 87 | 89 | 90 | 90 | 92 | 90 | 89 |
| 85° | 64 | 65 | 67 | 68 | 69 | 69 | 68 | 68 |
| 87.5° | 37 | 38 | 38 | 39 | 39 | 39 | 38 | 37 |
| 90° | 33 | 36 | 41 | 42 | 46 | 48 | 49 | 48 |
| 92.5° | 87 | 98 | 109 | 117 | 124 | 129 | 130 | 133 |
| 95° | 149 | 168 | 185 | 200 | 208 | 217 | 218 | 221 |
| 97.5° | 204 | 230 | 254 | 271 | 281 | 294 | 298 | 300 |
| 100° | 247 | 283 | 313 | 332 | 352 | 358 | 369 | 374 |
| 102.5° | 277 | 320 | 355 | 386 | 406 | 419 | 426 | 430 |
| 105° | 298 | 349 | 393 | 426 | 450 | 469 | 480 | 485 |
| 107.5° | 308 | 363 | 411 | 452 | 483 | 503 | 513 | 518 |
| 110° | 309 | 365 | 420 | 465 | 499 | 523 | 540 | 546 |



TEST NUMBER: P24121

CATALOG NUMBER: S901DIP-1L35-D02XXF

CANDELA DISTRIBUTION (continued):

| | 55° | 60° | 65° | 70° | 75° | 80° | 85° | 90° |
|--------|-----|-----|-----|-----|-----|-----|-----|-----|
| 112.5° | 306 | 359 | 412 | 463 | 501 | 531 | 545 | 550 |
| 115° | 298 | 346 | 398 | 446 | 489 | 517 | 536 | 542 |
| 117.5° | 300 | 326 | 373 | 422 | 459 | 493 | 512 | 518 |
| 120° | 326 | 348 | 364 | 386 | 422 | 454 | 470 | 476 |
| 122.5° | 323 | 346 | 373 | 399 | 421 | 435 | 445 | 448 |
| 125° | 313 | 335 | 356 | 381 | 402 | 422 | 433 | 437 |
| 127.5° | 293 | 314 | 334 | 355 | 371 | 388 | 397 | 400 |
| 130° | 268 | 284 | 303 | 319 | 335 | 348 | 353 | 357 |
| 132.5° | 241 | 255 | 269 | 285 | 296 | 304 | 309 | 312 |
| 135° | 211 | 225 | 236 | 248 | 256 | 265 | 268 | 270 |
| 137.5° | 187 | 196 | 206 | 214 | 222 | 228 | 230 | 231 |
| 140° | 165 | 173 | 180 | 187 | 193 | 196 | 198 | 198 |
| 142.5° | 147 | 154 | 159 | 164 | 168 | 171 | 172 | 173 |
| 145° | 133 | 137 | 142 | 146 | 148 | 151 | 152 | 153 |
| 147.5° | 121 | 125 | 128 | 131 | 134 | 134 | 136 | 136 |
| 150° | 112 | 115 | 117 | 120 | 121 | 122 | 123 | 123 |
| 152.5° | 104 | 106 | 108 | 110 | 111 | 112 | 112 | 111 |
| 155° | 97 | 99 | 101 | 101 | 103 | 104 | 104 | 104 |
| 157.5° | 91 | 93 | 94 | 95 | 96 | 96 | 96 | 97 |
| 160° | 86 | 87 | 89 | 89 | 90 | 90 | 90 | 90 |
| 162.5° | 82 | 82 | 83 | 84 | 84 | 84 | 84 | 84 |
| 165° | 77 | 78 | 78 | 79 | 79 | 79 | 79 | 79 |
| 167.5° | 74 | 74 | 74 | 74 | 74 | 74 | 74 | 74 |
| 170° | 71 | 71 | 71 | 71 | 70 | 70 | 69 | 69 |
| 172.5° | 69 | 68 | 68 | 68 | 68 | 68 | 67 | 67 |
| 175° | 65 | 64 | 64 | 64 | 63 | 63 | 63 | 63 |
| 177.5° | 63 | 63 | 62 | 62 | 61 | 61 | 61 | 60 |
| 180° | 65 | 65 | 65 | 65 | 65 | 65 | 65 | 65 |

(END OF REPORT)